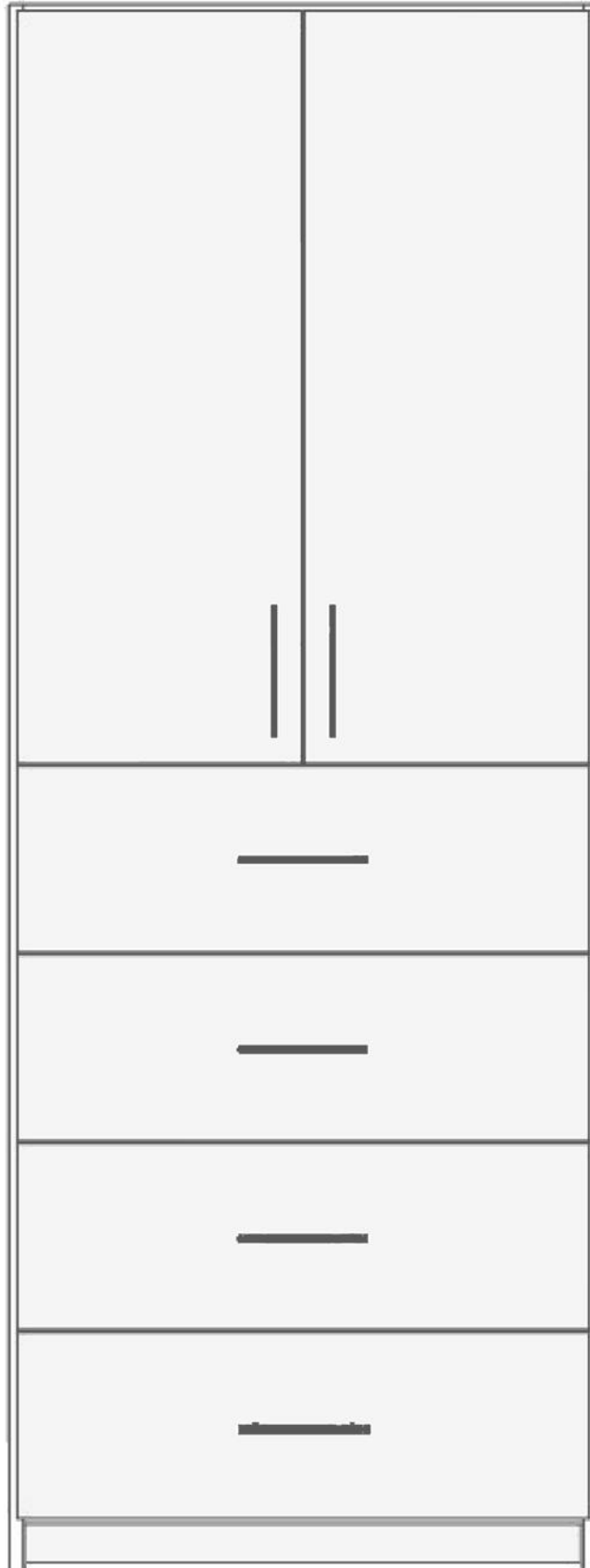


# INSTRUCTION MANUAL



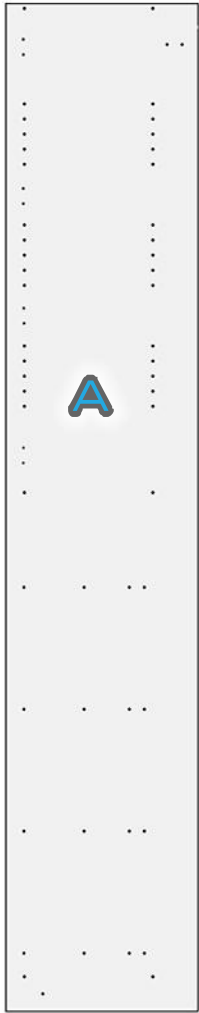
4 DRAWERS + 3 ADJUSTABLE SHELVES  
(WITH DOORS)

# PARTS LIST

\*NOTE: 16" X 31.5" UNIT SHOWN FOR REFERENCE - DEPENDING ON YOUR UNIT SIZE, YOUR PARTS MIGHT LOOK SLIGHTLY DIFFERENT

## 3/4 MELAMINE

1 X



LEFT  
GABLE

1 X



RIGHT  
GABLE

2 X



DOORS

4 X



DRAWER  
FRONTS

3 X



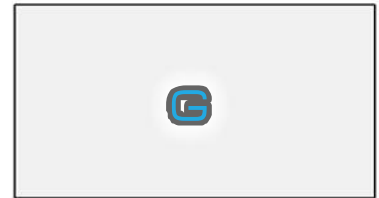
1 X TOP  
1 X FIXED SHELF  
1 X BOTTOM

1 X



TOE KICK

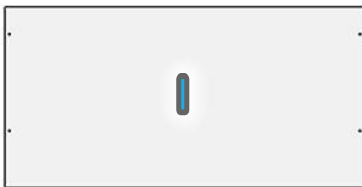
3 X



ADJUSTABLE  
SHELVES

## 5/8 MELAMINE

4 X



DRAWER BOX  
BOTTOM

4 X



DRAWER  
BOX BACK

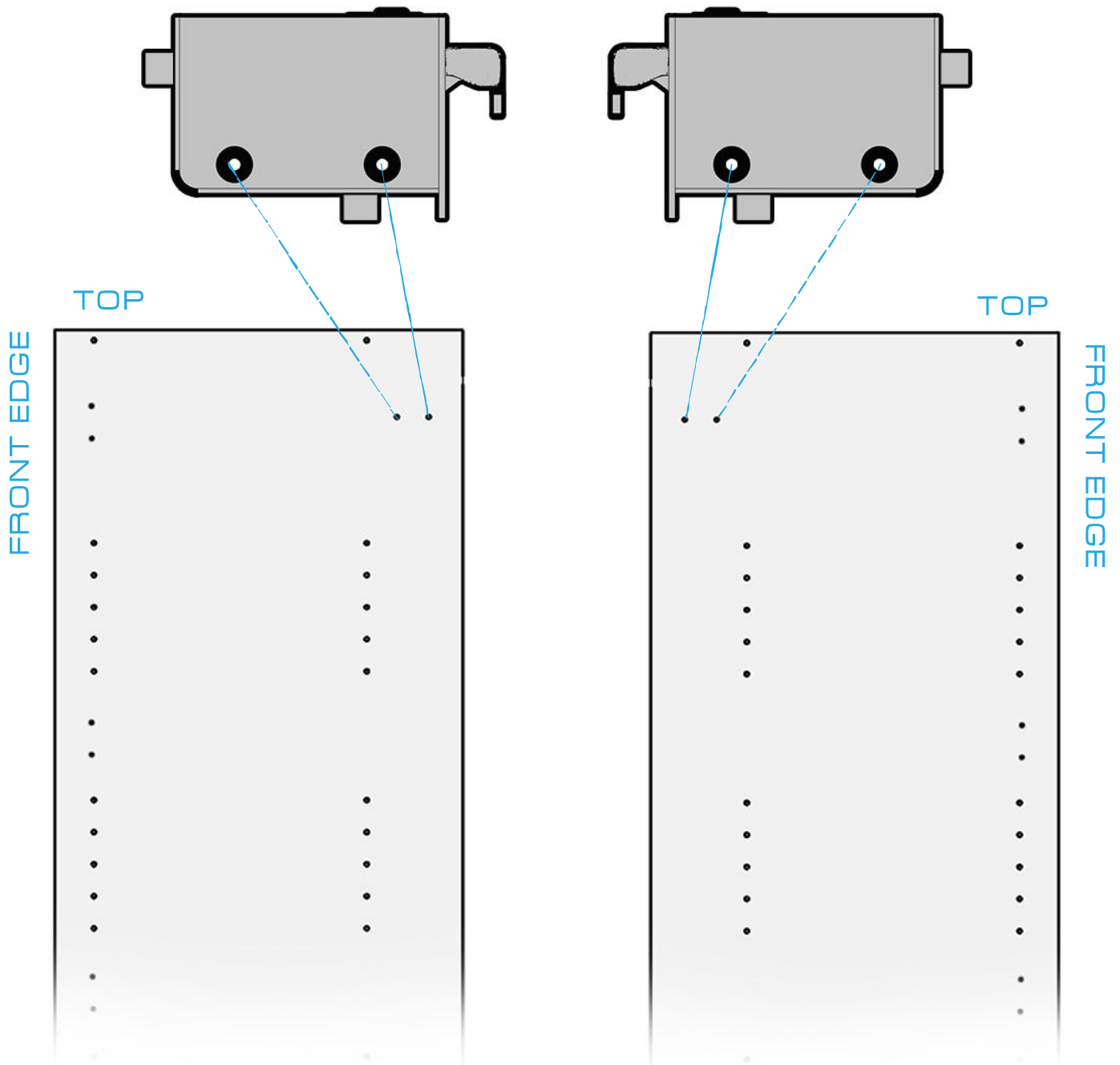
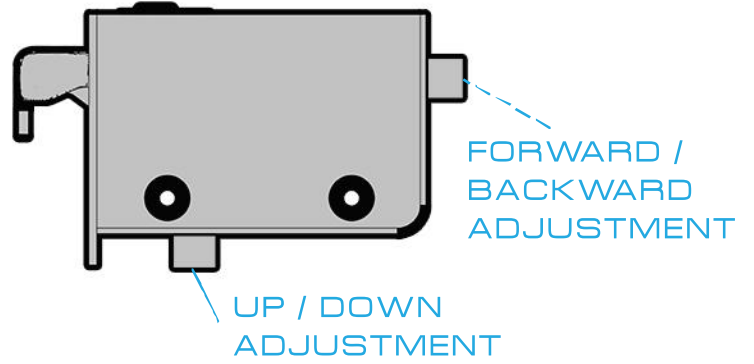
## HARDWARE

- 4 X DTC LEGACY ENDURA DRAWER SYSTEMS
- 8 X SOFT CLOSE HINGES
- 12 X ADJUSTABLE SHELF CLIPS
- 14 X CAMLOCK PINS
- 2 X HANGING BRACKETS
- 2 X BRACKET COVERS
- 1 X HANGING RAIL
- 1 X HANGING RAIL COVER
- 20 X EURO SCREWS
- 2 X DRYWALL ANCHORS
- 4 X 3" SCREWS

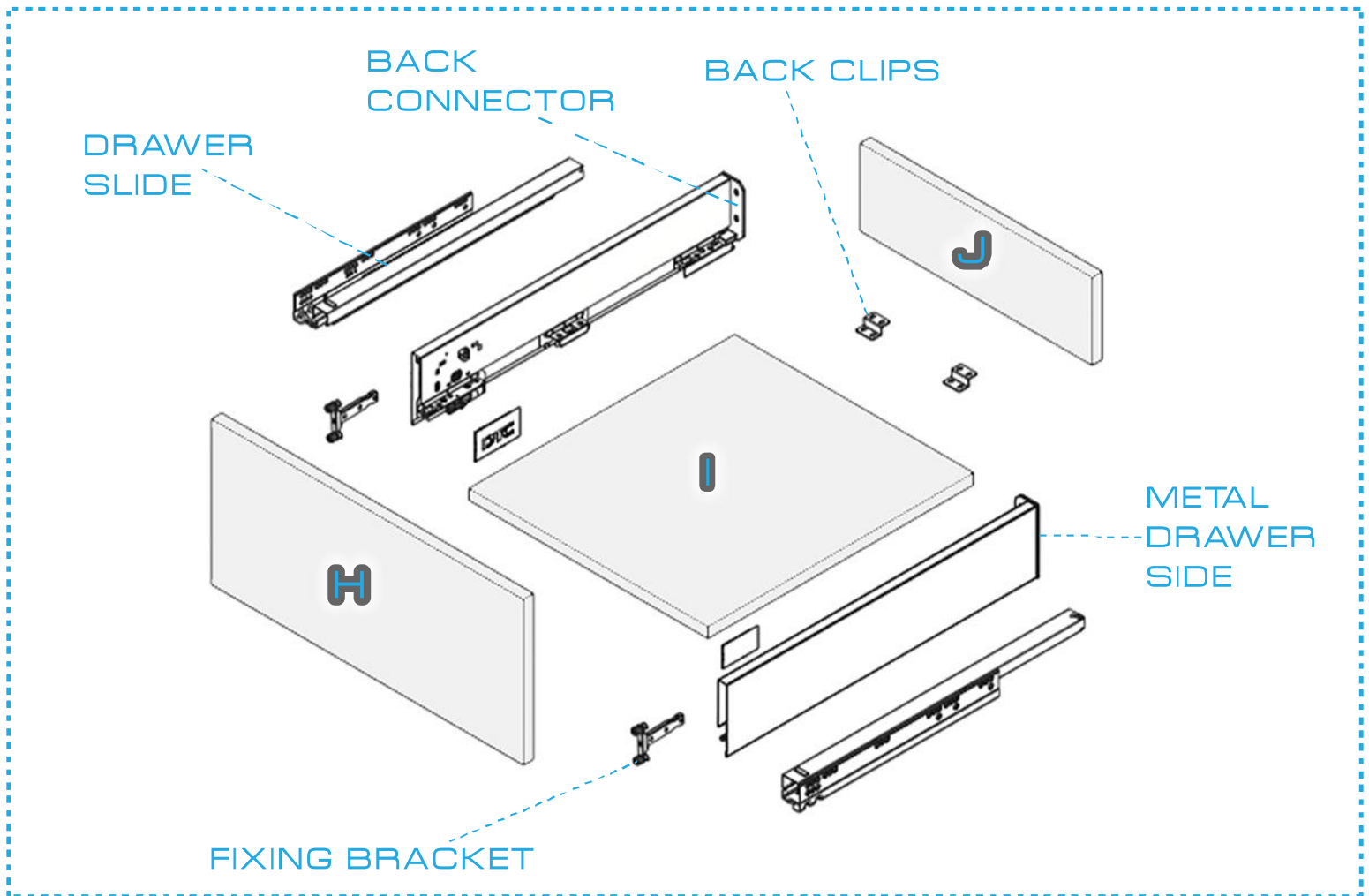
# ATTACHING HANGING BRACKET

1 USING PROVIDED EURO SCREWS, ATTACH LEFT HANGING BRACKET TO LEFT GABLE (A) AND RIGHT HANGING BRACKET TO RIGHT GABLE (B) USING CORRESPONDING HOLES

2. ADJUSTMENT SCREWS MAY BE USED ONCE CLOSET IS INSTALLED ON HANGING RAIL

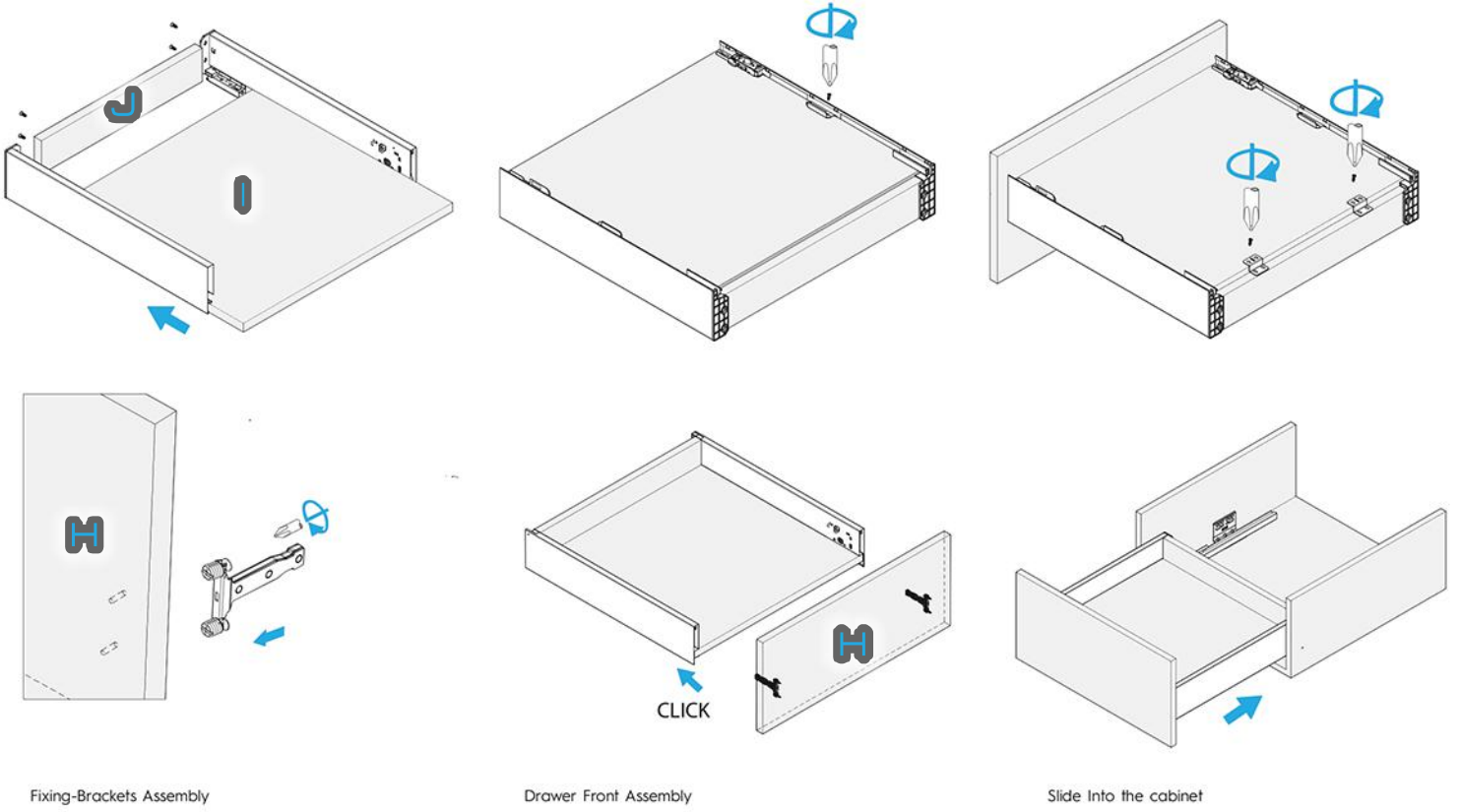


# DRAWER ASSEMBLY

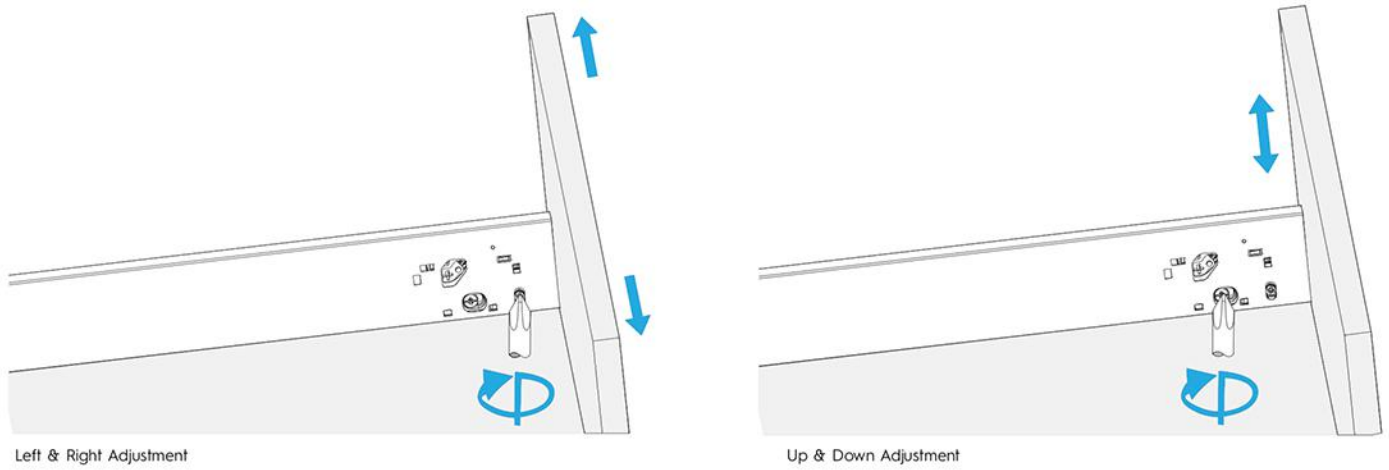


- 1 REMOVE ALL PARTS FROM PACKAGING
2. ATTACH BACK CONNECTORS TO DRAWER BOX BACK (J) USING PROVIDED SCREWS.
3. SLIDE DRAWER BACK INTO METAL SIDES
4. SLIDE BOTTOM (I) INTO GROOVE ON METAL SIDES
5. FROM THE BOTTOM OF THE DRAWER, FASTEN DRAWER BOTTOM (I) TO METAL SIDES USING PROVIDED SCREWS.
6. ATTACH BACK CLIPS TO JOIN DRAWER BOTTOM (I) AND DRAWER BACK (J)
7. INSERT FIXING BRACKET INTO HOLES ON DRAWER FRONT AND FASTEN SCREWS
8. INSERT DRAWER FRONT WITH FIXING BRACKET INTO DRAWER ASSEMBLY UNTIL IT CLICKS

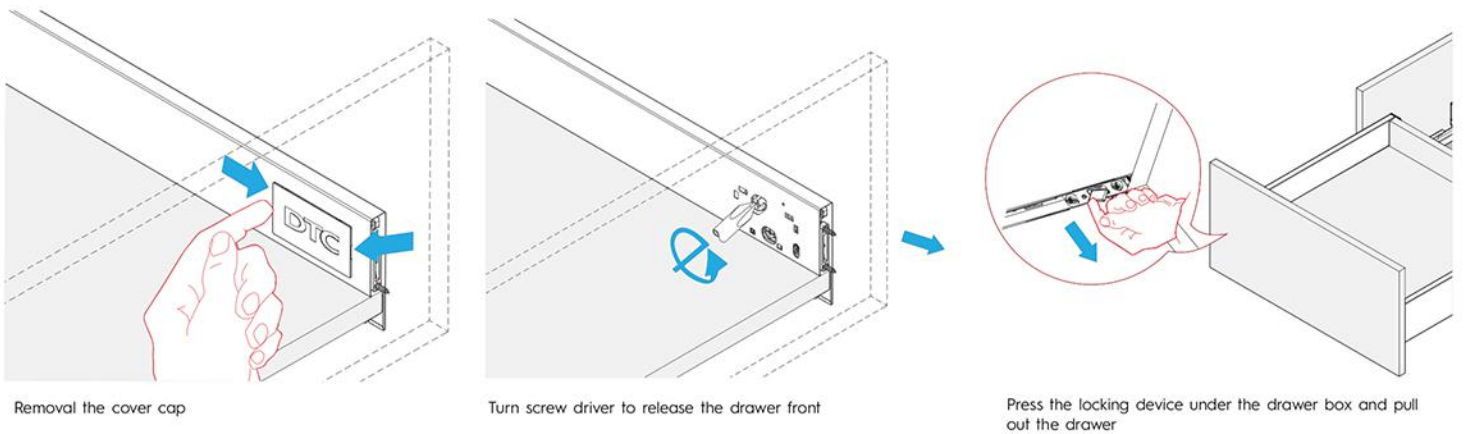
## ASSEMBLY



## ADJUSTMENT

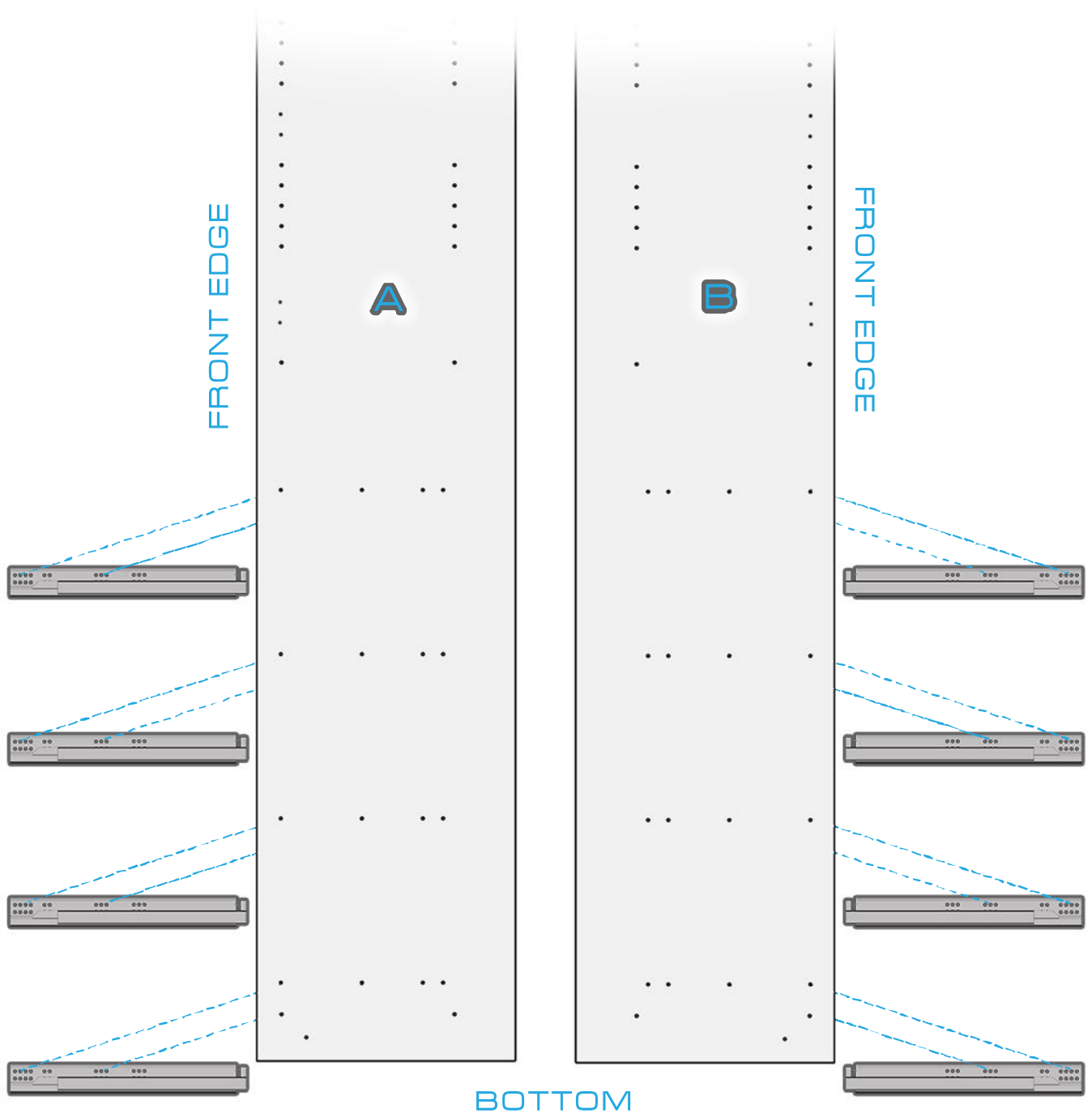


## REMOVAL



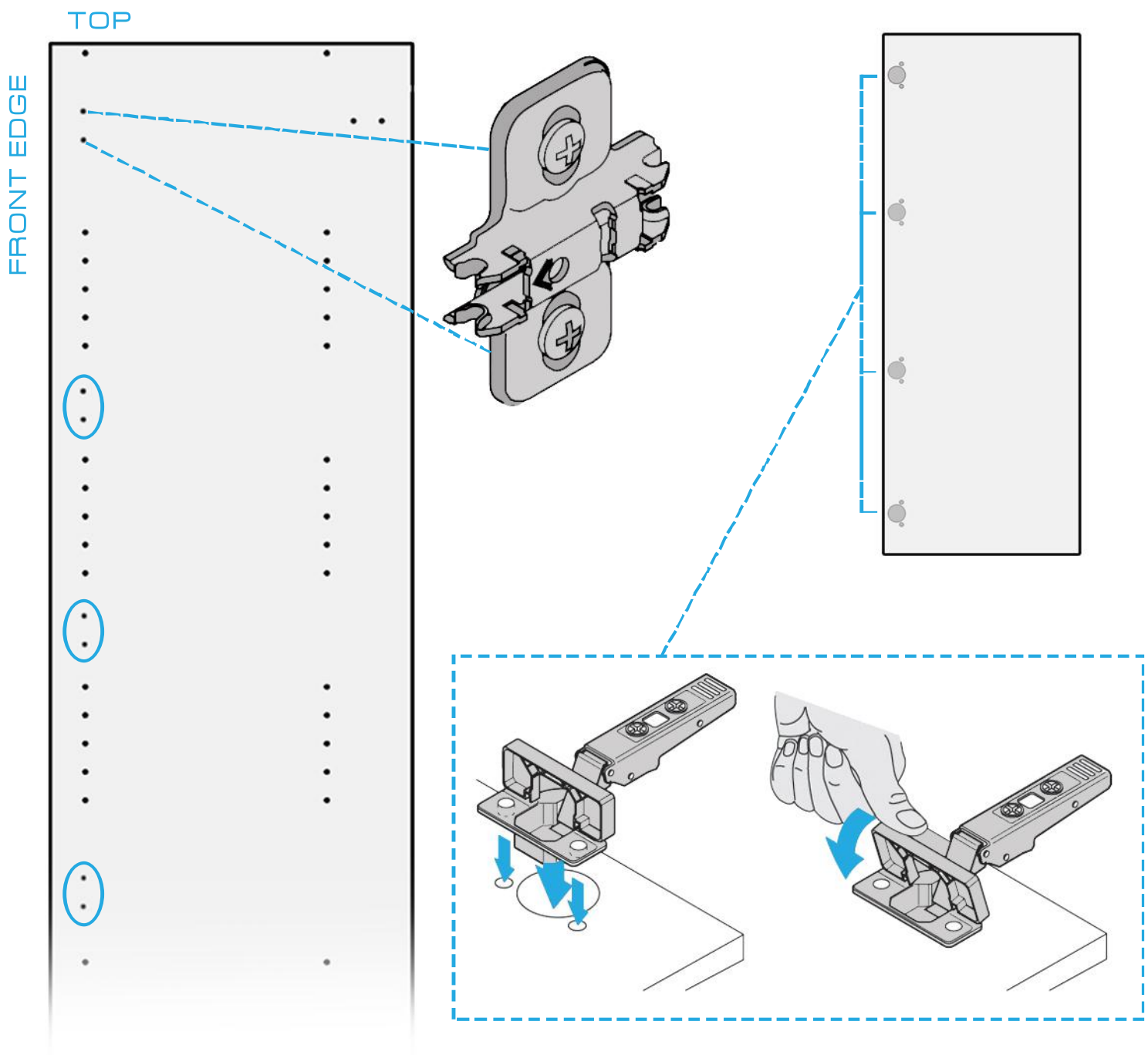
# INSTALLING DRAWER SLIDES

1. ONCE DRAWERS ARE BUILT, YOU WILL BE LEFT WITH 4 LEFT AND 4 RIGHT SOFT-CLOSE SLIDES
2. LAYOUT SLIDES ACCORDINGLY AND LINE UP CORRESPONDING HOLES.
3. USING PROVIDED EURO SCREWS, FASTEN SLIDES TO GABLES



# ATTACHING HINGES AND PLATES

1. ATTACH HINGE CLIPS TO LEFT AND RIGHT GABLES BY SCREWING INTO PREDRILLED HOLES (SPECIFIED IN DRAWING BELOW). MAKE SURE ARROW ON CLIP POINTS TOWARDS FRONT EDGE OF GABLE.
2. INSTALL HINGES INTO PREDRILLED HOLES IN DOORS. INSERT DOWELS INTO TWO SMALLER HOLES, THEN FASTEN BY PUSHING DOWN ON COVER. (SEE IMAGE BELOW)
3. DO NOT CONNECT DOORS TO GABLES UNTIL UNIT IS MOUNTED TO WALL. SEE LAST PAGE FOR FURTHER INSTRUCTION.



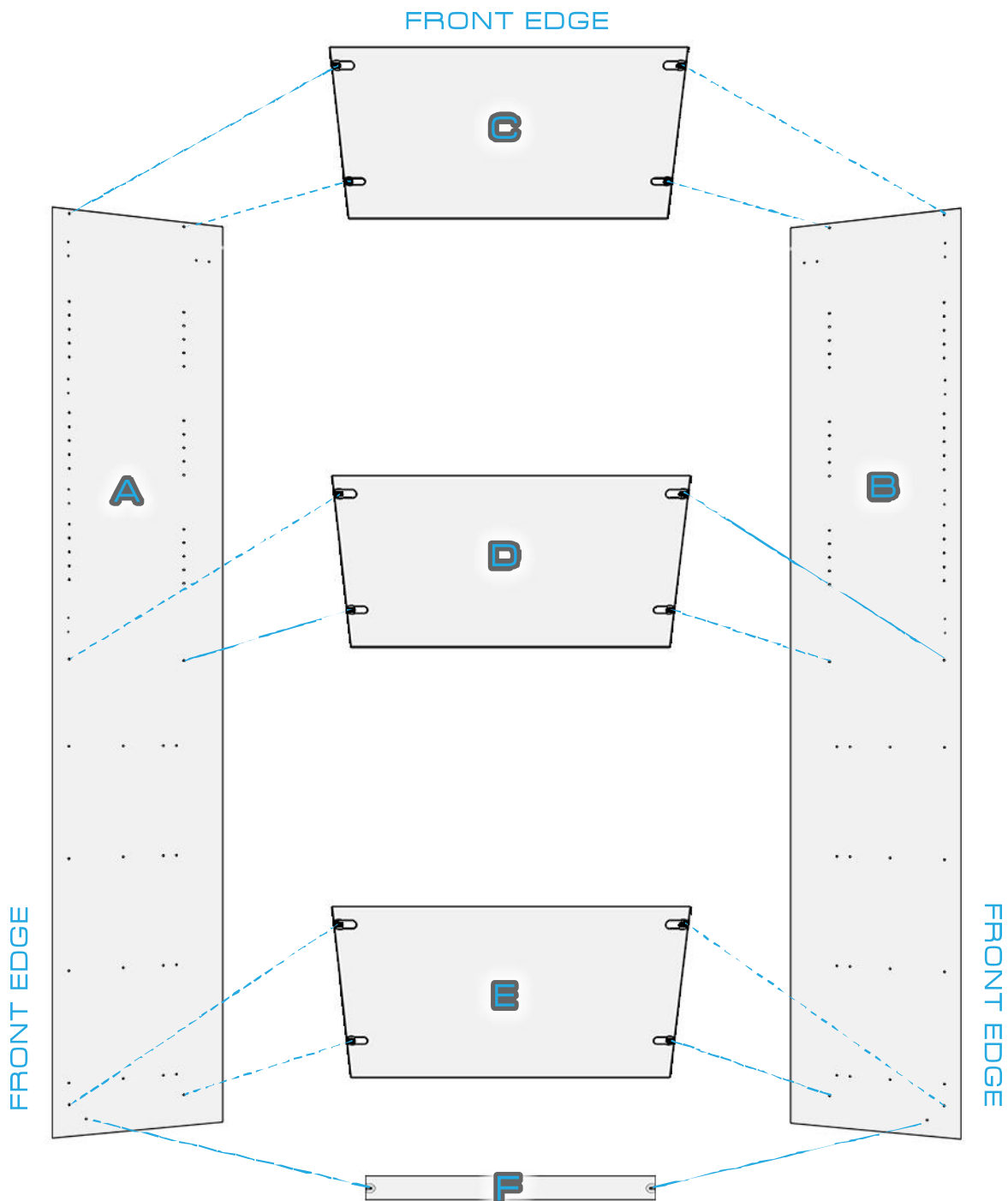
# TOP FIXED SHELF AND BOTTOM ASSEMBLY

1. SCREW CAM LOCK PINS INTO CORRESPONDING HOLES ON LEFT AND RIGHT GABLES. (SHOWN BY BLUE LINES)

2. SLIDE PINS INTO CORRESPONDING CAMLOCKS ON SHELVES. USING A PHILLIPS SCREWDRIVER, TURN CAMLOCK CLOCKWISE UNTIL IT LOCKS.

\*NOTE - ALL CAM LOCK SHELVES ARE INSTALLED WITH CAMLOCKS FACING DOWN

3. BEFORE STANDING UNIT UP, INSTALL TOE KICK WITH CAMLOCKS FACING INWARD, AND THEN LOCK WITH PHILLIPS SCREWDRIVER

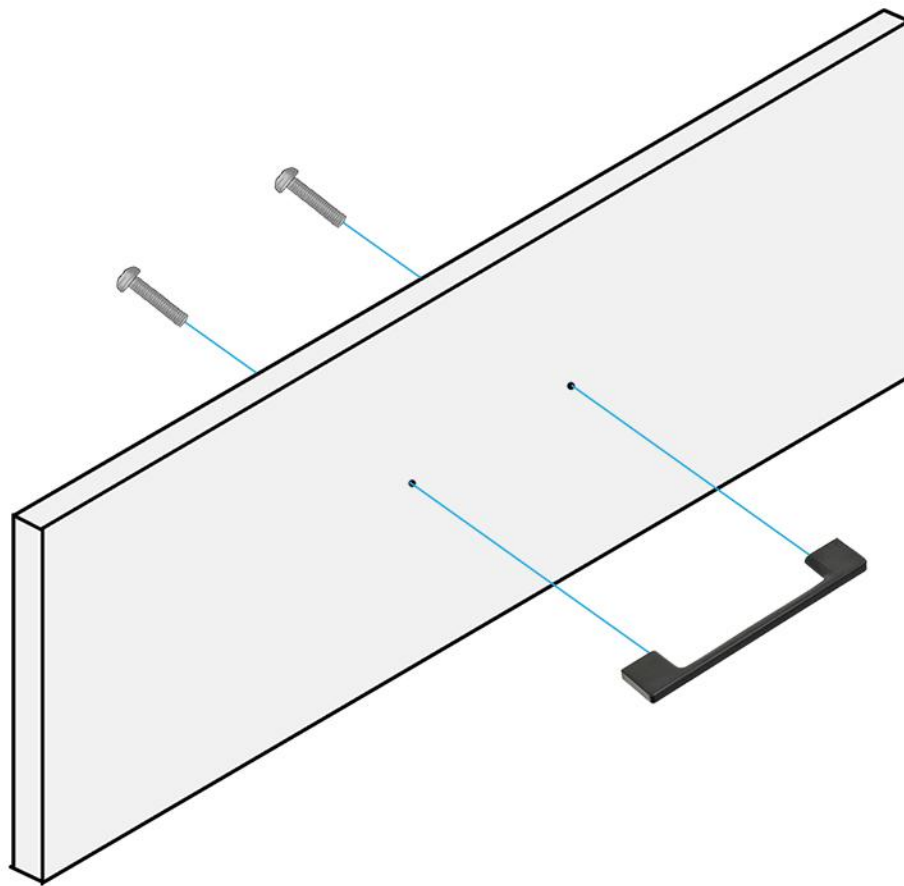




## ATTACHING HANDLE PULLS

1 USING SCREWS PROVIDED WITH HANDLES, INSERT INTO PRE-DRILLED HOLES IN DRAWER FRONTS AND DOORS.

2. LINE UP HANDLE WITH SCREWS AND FASTEN USING PHILLIPS SCREWDRIVER



# FINAL ASSEMBLY

**\*NOTE-** IF YOUR UNIT IS BEING INSTALLED AFTER BASEBOARD, NOTCHING OF BASEBOARDS MAY BE REQUIRED.

1. MOUNT HANGING RAIL TO WALL IN DESIRED LOCATION, 81 1/4" (TOP OF RAIL) UP FROM THE FLOOR. USING 3" SCREWS PROVIDED, ATTACH HANGING RAIL TO WALL THROUGH STUD. IF UNABLE TO HIT STUD, USE PROVIDED DRYWALL ANCHORS.

2. STAND UNIT UPRIGHT AND CONNECT HANGING BRACKETS TO HANGING RAIL.

3. IF NECESSARY, SLIGHT ADJUSTMENTS CAN BE MADE AT THIS TIME WITH ADJUSTMENT SCREWS ON BRACKETS. ONCE YOUR UNIT IS IN PLACE, INSTALL COVERS OVER BRACKETS (ONE LEFT AND ONE RIGHT), AS WELL AS THE COVER OVER HANGING RAIL.

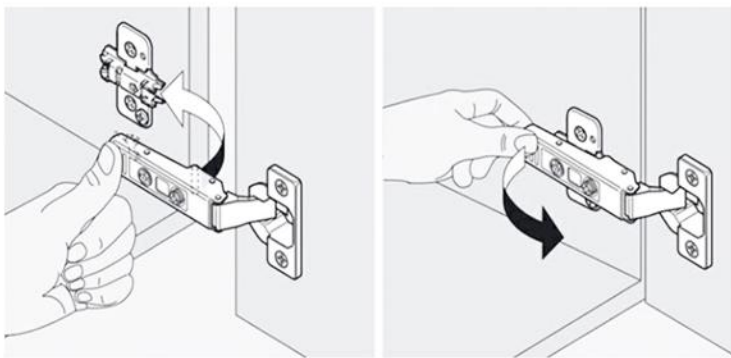
3. ONCE UNIT IS SECURE, BUILT DRAWERS CAN BE SLID INTO CABINET (REFER TO DRAWER ASSEMBLY PAGE). DRAWER WILL LOCK IN PLACE ONCE YOU FEEL IT CLICK.

4. ADD ADJUSTABLE SHELF CLIPS TO DESIRED LOCATION AND THEN INSERT ADJUSTABLE SHELVES UNTIL THE PINS DROP INTO THE PREDRILLED HOLES.

5. ATTACH DOOR HINGES TO HINGE PLATES - LINE UP HINGES AND PRESS ON REAR OF HINGE UNTIL IT CLICKS INTO HINGE PLATE. ADJUST DOORS USING ADJUSTMENT SCREWS IF NECESSARY. (SEE DIAGRAM BELOW)

6. PAT YOURSELF ON THE BACK, YOU JUST BUILT A CLOSET!

## HINGE INSTALLATION AND ADJUSTMENT



INSTALLATION

REMOVAL

### ADJUSTMENT

