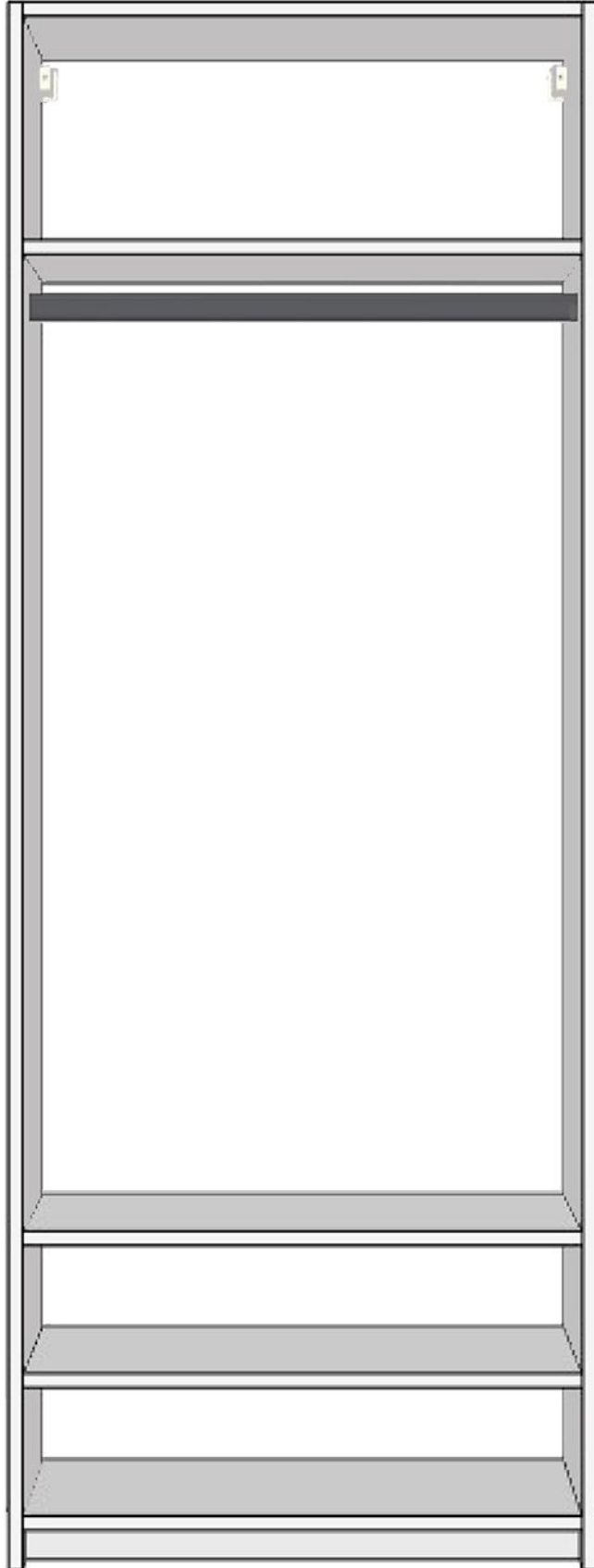


INSTRUCTION MANUAL



DOUBLE CUBBY SINGLE HANG

PARTS LIST

3/4 MELAMINE

*NOTE: 16" X 31.5" UNIT SHOWN FOR REFERENCE - DEPENDING ON YOUR UNIT SIZE, YOUR PARTS MIGHT LOOK SLIGHTLY DIFFERENT

1 X



LEFT
GABLE

1 X



RIGHT
GABLE

4 X



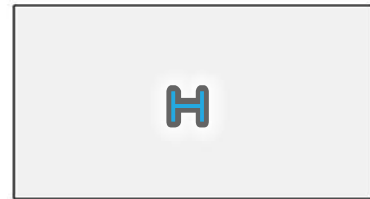
1 X TOP
2 X FIXED SHELVES
1 X BOTTOM

1 X



TOE KICK

1 X



ADJUSTABLE
SHELF

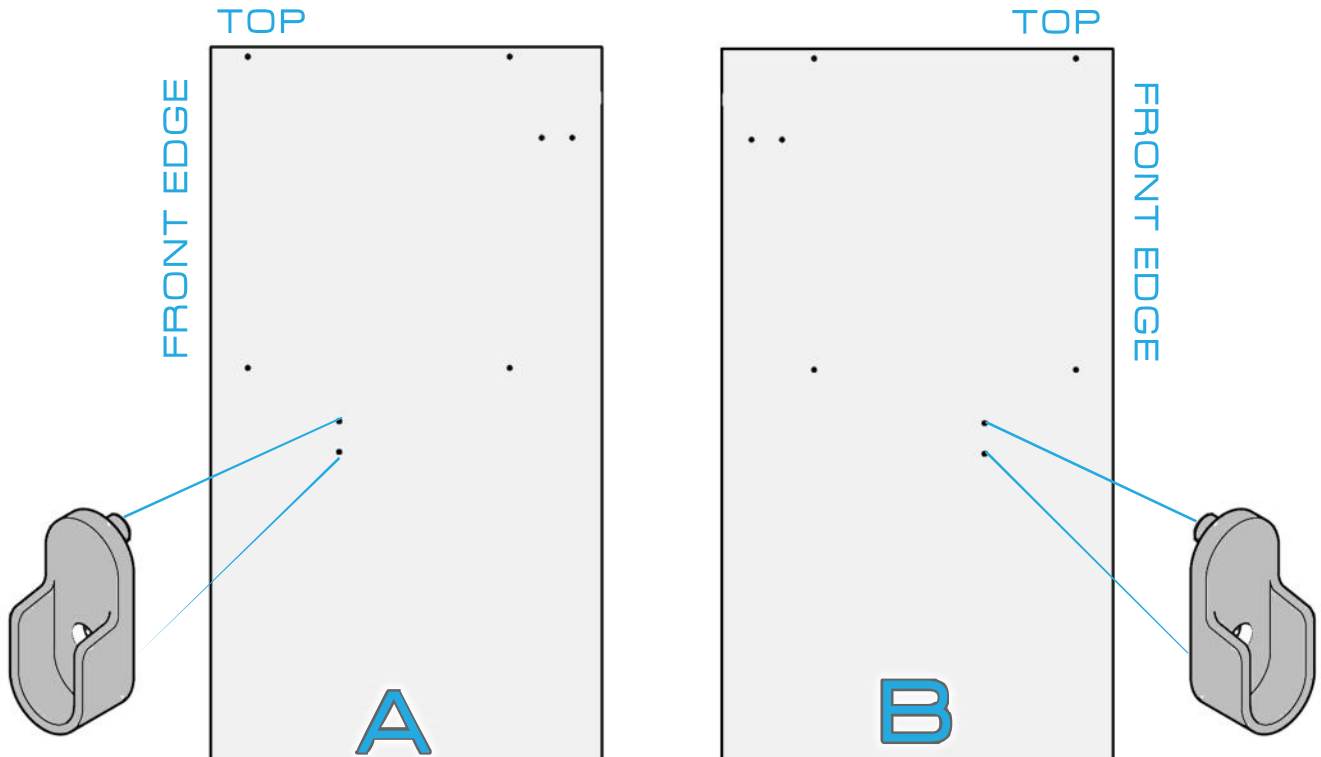
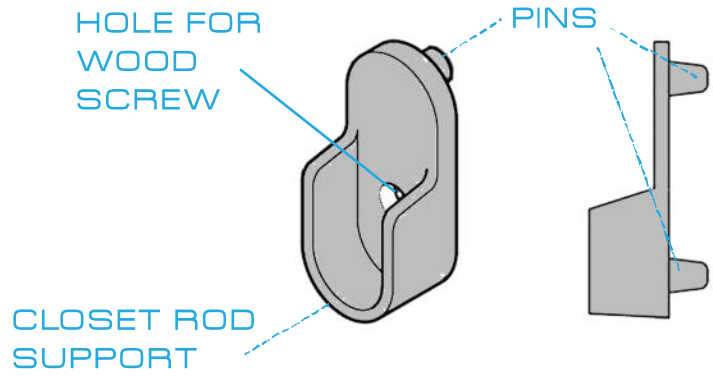
HARDWARE

- 4 X ADJUSTABLE SHELF CLIPS
- 18 X CAMLOCK PINS
- 2 X HANGING BRACKETS
- 2 X BRACKET COVERS
- 1 X HANGING RAIL
- 1 X HANGING RAIL COVER
- 4 X EURO SCREWS
- 2 X DRYWALL ANCHORS
- 4 X 3" SCREWS

ATTACHING CLOSET ROD CUPS

1 INSERT PINS INTO
PREDRILLED HOLES WITH
CLOSET ROD SUPPORT ON
BOTTOM

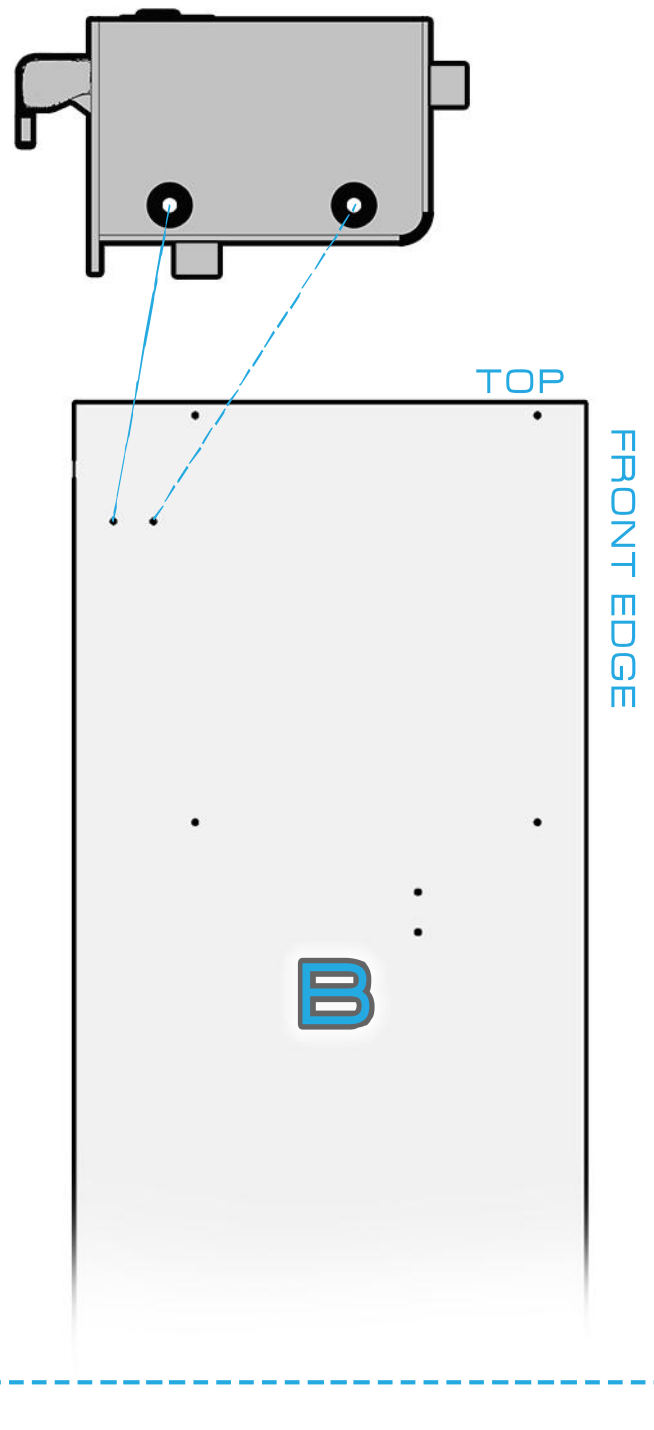
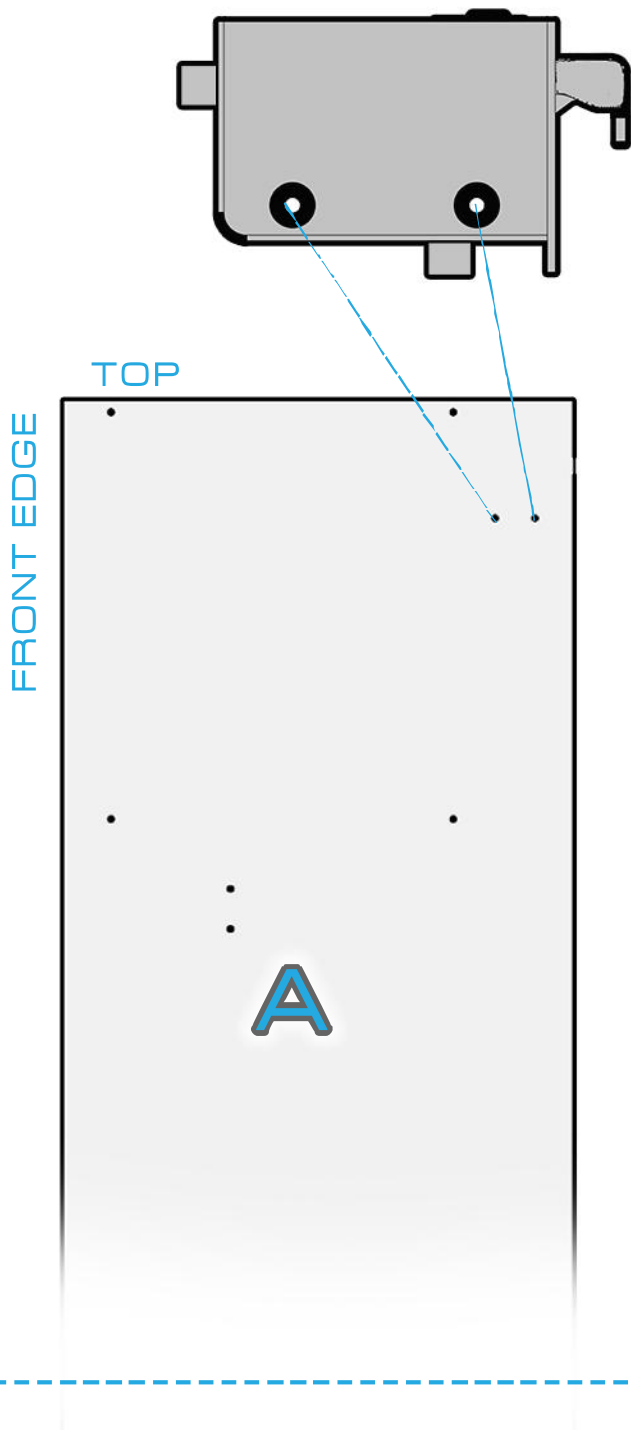
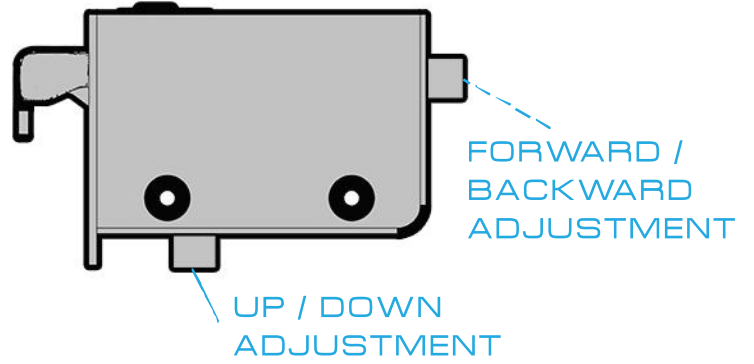
2. ATTACH USING PROVIDED
WOOD SCREW THROUGH
HOLE IN CUP



ATTACHING HANGING BRACKET

1 USING PROVIDED EURO SCREWS, ATTACH LEFT HANGING BRACKET TO LEFT GABLE (A) AND RIGHT HANGING BRACKET TO RIGHT GABLE (B) USING CORRESPONDING HOLES

2. ADJUSTMENT SCREWS MAY BE USED ONCE CLOSET IS INSTALLED ON HANGING RAIL



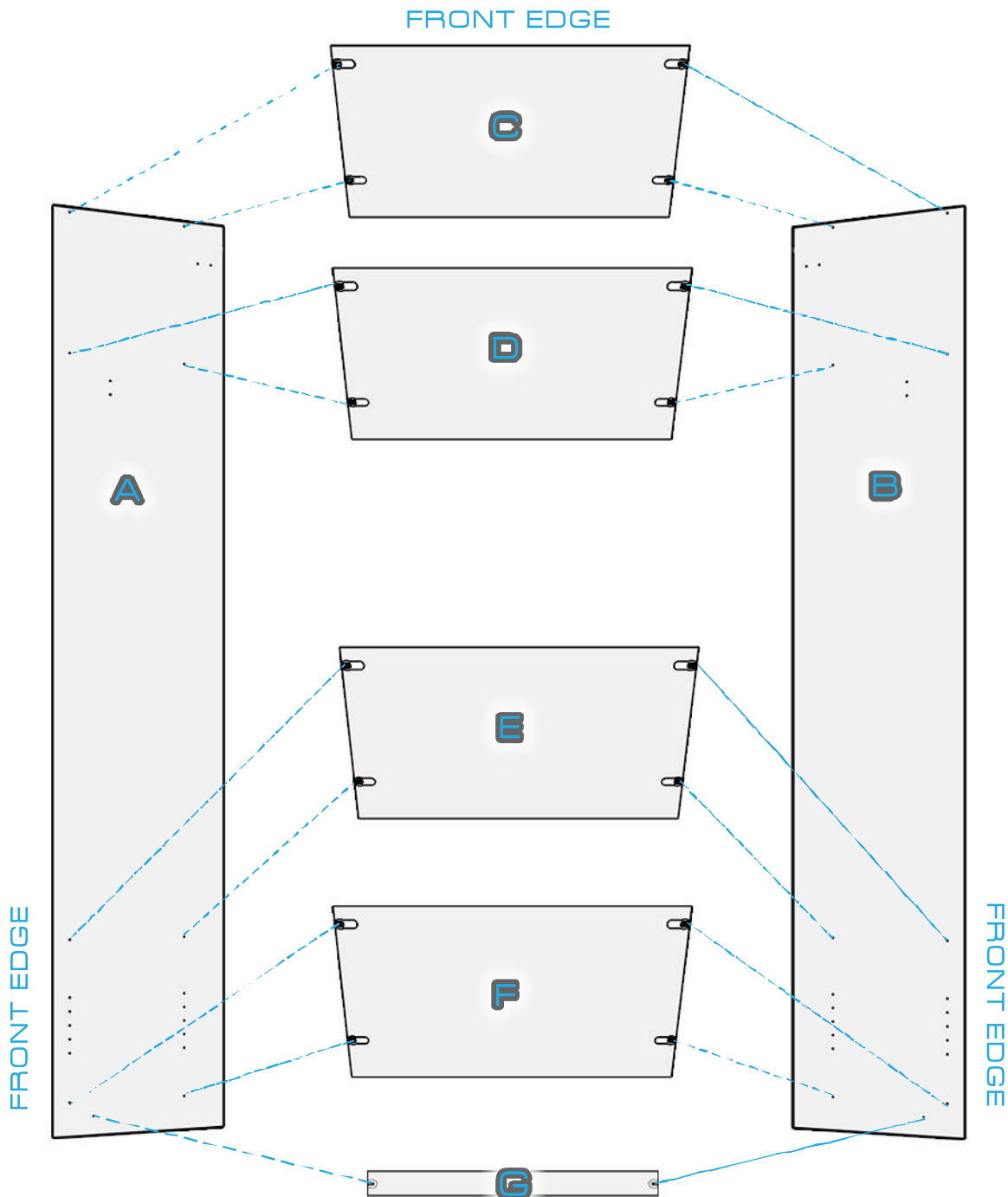
TOP FIXED SHELF AND BOTTOM ASSEMBLY

1. SCREW CAM LOCK PINS INTO CORRESPONDING HOLES ON LEFT AND RIGHT GABLES. (SHOWN BY BLUE LINES)

2. SLIDE PINS INTO CORRESPONDING CAMLOCKS ON SHELVES. USING A PHILLIPS SCREWDRIVER, TURN CAMLOCK CLOCKWISE UNTIL IT LOCKS.

*NOTE - ALL CAM LOCK SHELVES ARE INSTALLED WITH CAMLOCKS FACING DOWN

3. BEFORE STANDING UNIT UP, INSTALL TOE KICK WITH CAMLOCKS FACING INWARD, AND THEN LOCK WITH PHILLIPS SCREWDRIVER



FINAL ASSEMBLY

***NOTE-** IF YOUR UNIT IS BEING INSTALLED AFTER BASEBOARD, NOTCHING OF BASEBOARDS MAY BE REQUIRED.

1. MOUNT HANGING RAIL TO WALL IN DESIRED LOCATION, 81 1/4" (TOP OF RAIL) UP FROM THE FLOOR. USING 3" SCREWS PROVIDED, ATTACH HANGING RAIL THROUGH STUD. IF UNABLE TO HIT STUD, USE PROVIDED DRYWALL ANCHORS.
2. STAND UNIT UPRIGHT AND CONNECT HANGING BRACKETS TO HANGING RAIL.
3. IF NECESSARY, SLIGHT ADJUSTMENTS CAN BE MADE AT THIS TIME WITH ADJUSTMENT SCREWS ON BRACKETS. ONCE YOUR UNIT IS IN PLACE, INSTALL COVERS OVER BRACKETS (ONE LEFT AND ONE RIGHT), AS WELL AS THE COVER OVER HANGING RAIL.
4. SLIDE HANGING ROD INTO TOP OF ROD CUPS UNTIL IT BOTTOMS IN ROD SUPPORT
5. ADD ADJUSTABLE SHELF CLIPS TO DESIRED LOCATION AND THEN INSERT ADJUSTABLE SHELF UNTIL THE PINS DROP INTO PREDRILLED HOLES.
6. PAT YOURSELF ON THE BACK, YOU JUST BUILT A CLOSET!

