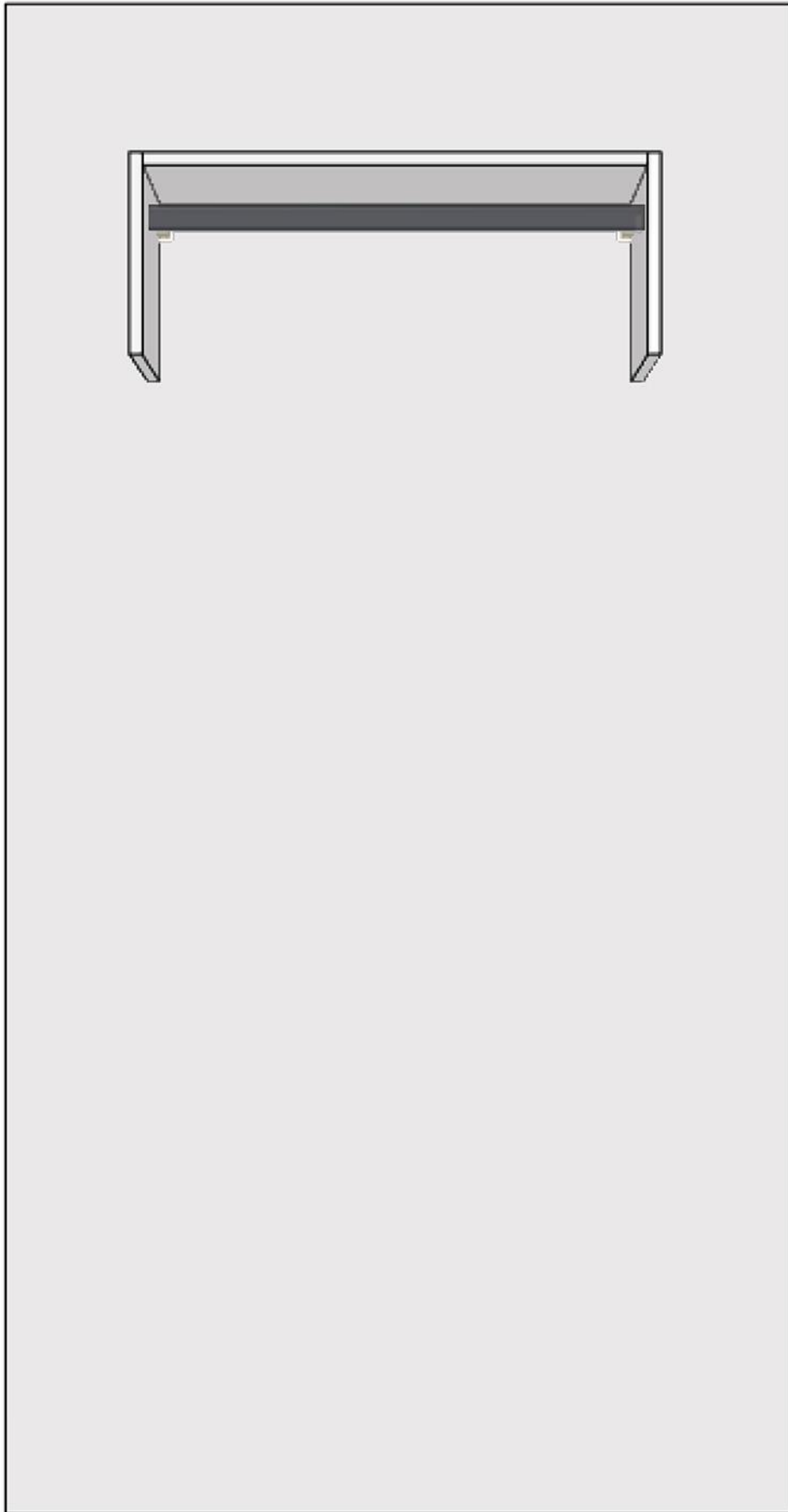


# INSTRUCTION MANUAL

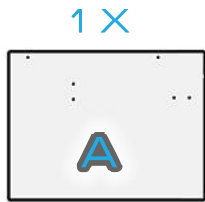


SINGLE HANG 12"

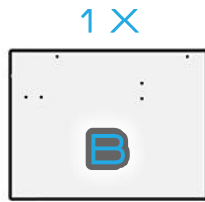
# PARTS LIST

## 3/4 MELAMINE

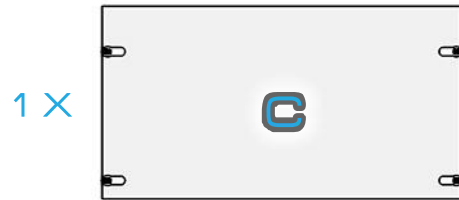
\*NOTE: 16" X 31.5" UNIT SHOWN FOR REFERENCE - DEPENDING ON YOUR UNIT SIZE, YOUR PARTS MIGHT LOOK SLIGHTLY DIFFERENT



LEFT  
GABLE



RIGHT  
GABLE



TOP

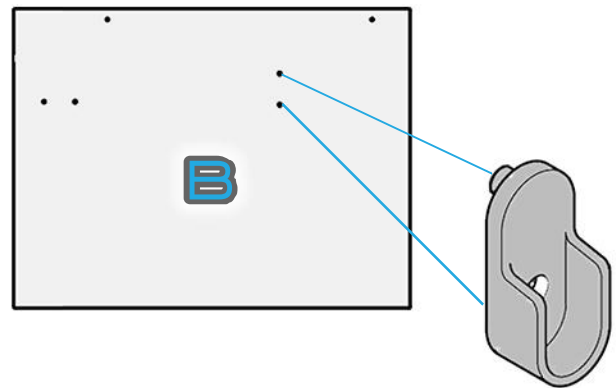
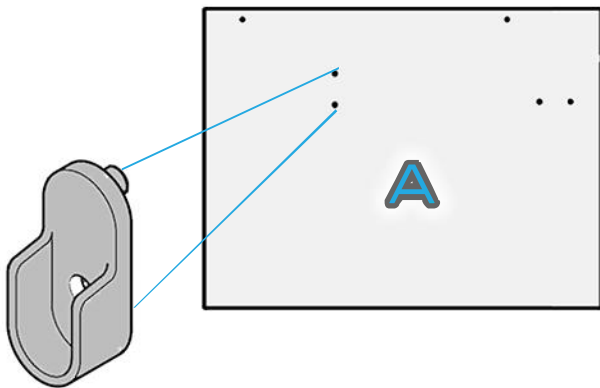
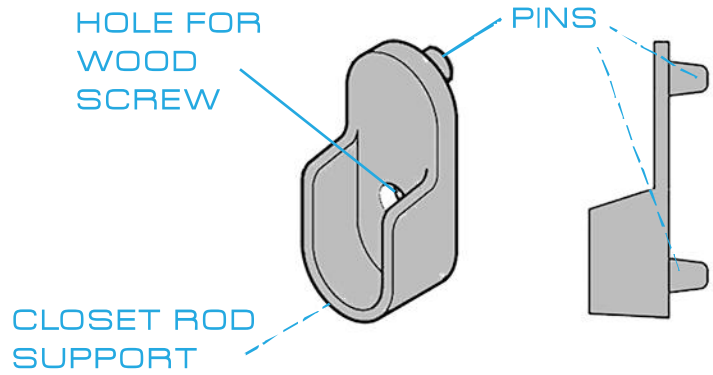
## HARDWARE

- 4 X CAMLOCK PINS
- 1 X HANGING ROD
- 2 X HANGING ROD CUPS
- 2 X HANGING BRACKETS
- 2 X BRACKET COVERS
- 1 X HANGING RAIL
- 1 X HANGING RAIL COVER
- 4 X EURO SCREWS
- 2 X DRYWALL ANCHORS
- 4 X 3" SCREWS

# ATTACHING CLOSET ROD CUPS

1 INSERT PINS INTO  
PREDRILLED HOLES WITH  
CLOSET ROD SUPPORT ON  
BOTTOM

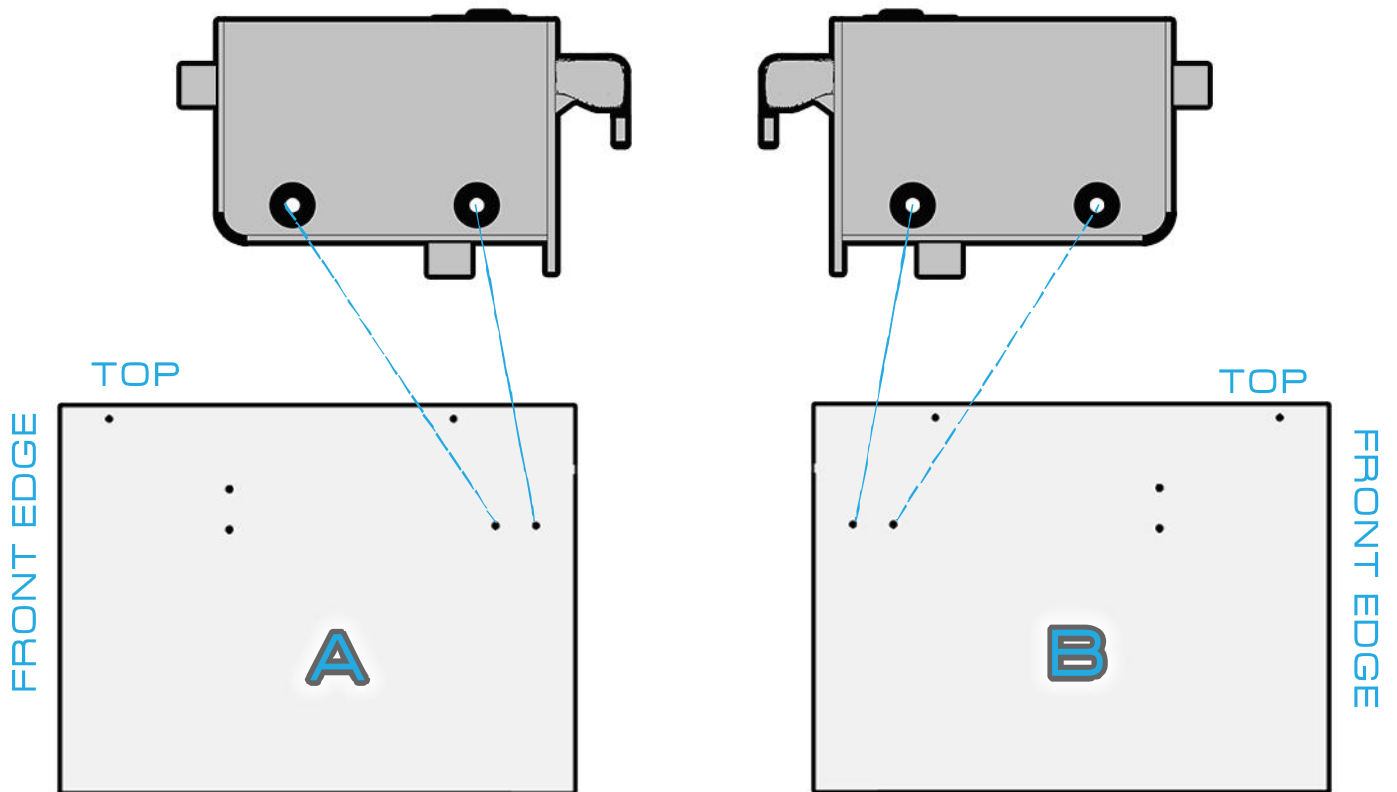
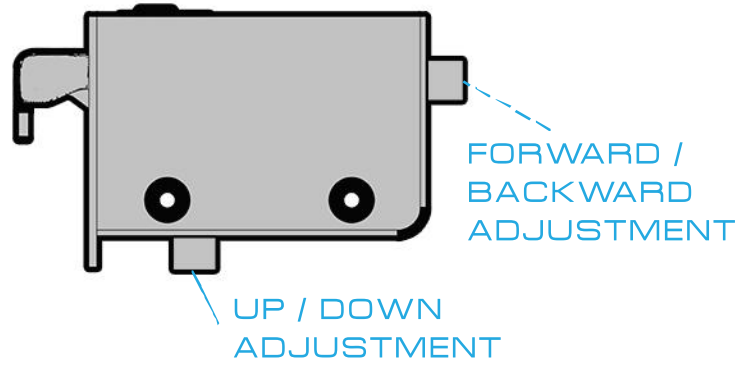
2. ATTACH USING PROVIDED  
WOOD SCREW THROUGH  
HOLE IN CUP



# ATTACHING HANGING BRACKET

1 USING PROVIDED EURO SCREWS, ATTACH LEFT HANGING BRACKET TO LEFT GABLE (A) AND RIGHT HANGING BRACKET TO RIGHT GABLE (B) USING CORRESPONDING HOLES

2. ADJUSTMENT SCREWS MAY BE USED ONCE CLOSET IS INSTALLED ON HANGING RAIL

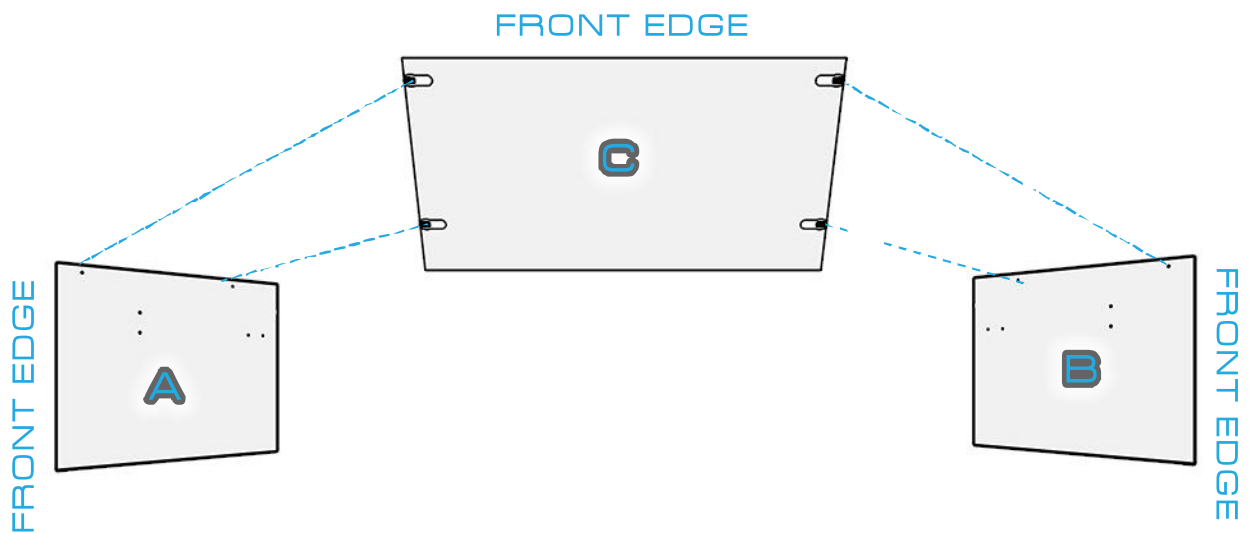


# TOP AND FIXED SHELF ASSEMBLY

1 SCREW CAM LOCK PINS INTO CORRESPONDING HOLES ON LEFT AND RIGHT GABLES. (SHOWN BY BLUE LINES)

2. SLIDE PINS INTO CORRESPONDING CAMLOCKS ON SHELVES. USING A PHILLIPS SCREWDRIVER, TURN CAMLOCK CLOCKWISE UNTIL IT LOCKS.

\*NOTE - ALL CAM LOCK SHELVES ARE INSTALLED WITH CAMLOCKS FACING DOWN



## FINAL ASSEMBLY

**\*NOTE-** IF YOUR UNIT IS BEING INSTALLED AFTER BASEBOARD, NOTCHING OF BASEBOARDS MAY BE REQUIRED.

1. MOUNT HANGING RAIL TO WALL IN DESIRED LOCATION. **\*NOTE - TOP OF HANGING RAIL SITS 2 3/4" DOWN FROM TOP OF UNIT\*** USING 3" SCREWS PROVIDED, ANCHOR HANGING RAIL THROUGH STUD. IF UNABLE TO HIT STUD, USE PROVIDED DRYWALL ANCHORS.

2. STAND UNIT UPRIGHT AND LIFT\* TO CONNECT HANGING BRACKETS TO HANGING RAIL. **\*AN EXTRA HAND MAY BE NECESSARY FOR THIS STEP**

3. IF NECESSARY, SLIGHT ADJUSTMENTS CAN BE MADE AT THIS TIME WITH ADJUSTMENT SCREWS ON BRACKETS. ONCE YOUR UNIT IS IN PLACE, INSTALL COVERS OVER BRACKETS (ONE LEFT AND ONE RIGHT), AS WELL AS THE COVER OVER HANGING RAIL.

4. PAT YOURSELF ON THE BACK, YOU JUST BUILT A CLOSET!

